

**2-Way Siren Module**  
**Module Sirène 2-Way**  
**Modulo per sirena**  
**radio bidirezionale**  
**2-Weg Sirenenmodul**

Model EL-4262  
 Modèle EL-4262  
 Modello EL-4262  
 Modell EL-4262



**Introduction**

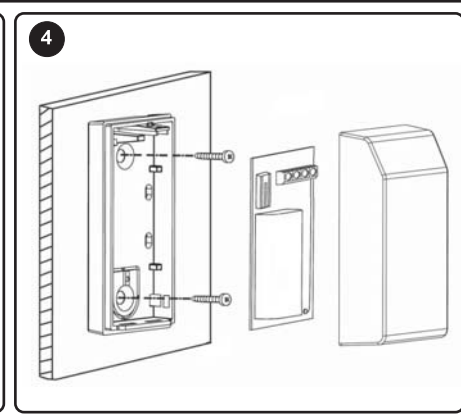
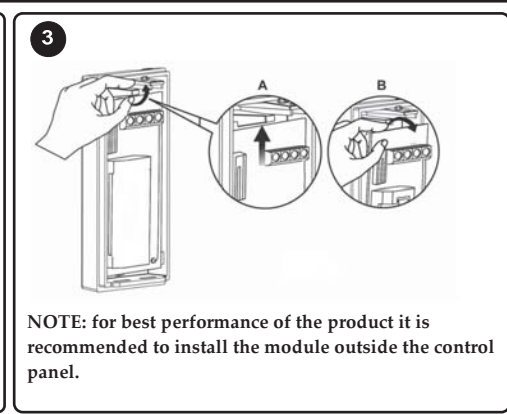
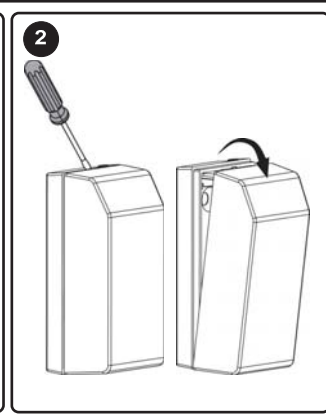
The 2-Way Siren Module EL-4262 is an add-on module that is used to pair Electronics Line's range of 2-way Sirens (EL4726 and EL4723) to the CommPact and Prime 1-way control panels.

**1 Control Panel Settings**

For CommPact Panel (from version 401.37 and higher):

- Input event – Set PGM Output as 'SIREN MODULE'
- Output event – Set Zone #33 'LOOP TYPE' as Normally Closed

For Prime Panel:  
 Input event – Set PGM Output as 'SIREN'

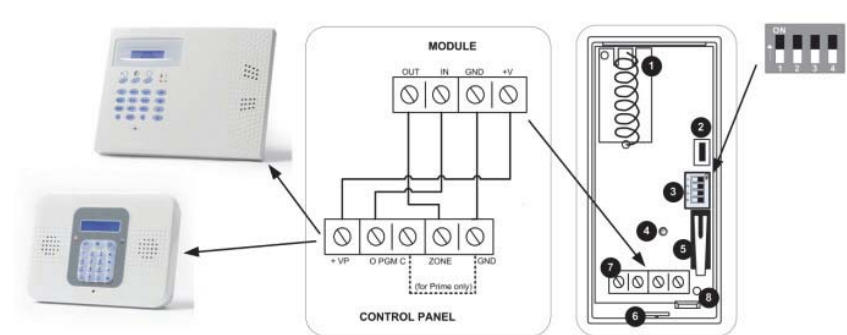


**DIP Switch Settings (default \*)**

| Switch | State | Description               |
|--------|-------|---------------------------|
| 1      | ON    | Tamper on                 |
|        | OFF * | Tamper off                |
| 2      | ON    | Low battery on            |
|        | OFF * | Low battery off           |
| 3      | ON    | Communication trouble on  |
|        | OFF * | Communication trouble off |
| 4      | ON    | For Prime                 |
|        | OFF * | For CommPact              |

**NOTE:** If switches (1-3) are set to ON the output of the module will trigger the wired zone on the panel and create an alarm according to the panel's configuration.

**5 Terminal Wiring and PCB Layout**



- 1 Antenna
- 2 Test Button
- 3 Dip Switch
- 4 LED Indicator
- 5 Tamper Switch
- 6 Wiring Knockout
- 7 Terminal Block
- 8 PCB Release Tab

**6 Registering and Testing the 2-Way Siren**

Power-up the module. Once the Red and Green LEDs are flashing consecutively, send a signal from the siren by inserting the batteries. If the LED continues flashing Red and Green, press the tamper on the siren. Once registered, press the Test button. The Green LED begins to flash according to the transmission quality (4 flashes – best, 1 flash – poor). Close the module housing cover to complete registration.

**LED Display**

| LED         | State                    | Description                 |
|-------------|--------------------------|-----------------------------|
| Yellow      | On                       | Siren Low battery           |
| Green       | On                       | Normal Operation            |
|             | Flashing                 | Testing mode                |
| Red         | On                       | Communication trouble       |
|             | Flashing                 | Siren tamper activated      |
|             | Intermittent flashing    | Module tamper activated     |
| Red & Green | Flashing (consecutively) | Registration/ deletion mode |

**NOTE:** A combination of troubles is indicated by a 3 second steady Red LED followed by a 3 second blinking Yellow LED.

**Deleting a Siren**

Open the 2-Way Siren Module and press the Test button for approximately 7 seconds until the Red and Green LEDs flash consecutively. This confirms the deletion.

**Technical Specifications**

Frequency – 868 MHz, 433 MHz, Power – 12VDC  
 Operating Temperature – -10 – 55°C

**RTTE Compliance Statement:**

Hereby, Electronics Line 3000 Ltd. declares that this product is in compliance with the essential requirements and other relevant provisions of Directive 1999/5/EC. The declaration of conformity may be consulted at [www.electronics-line.com](http://www.electronics-line.com)



All rights reserved.

No part of this document may be reproduced in any form without prior written permission from the publisher  
 Electronics Line 3000 Ltd. 11/2014 5IN2138 D



**Contacting Electronics Line**

Electronics Line is committed to customer service and product support. You can contact us through our website ([www.electronics-line.com](http://www.electronics-line.com)) or at the following telephone and fax numbers:

**International Headquarters:**  
 Electronics Line

14 Hachoma St., 75655, Rishon Le Zion, Israel  
 Tel: (+972-3) 963-7777, Fax: (+972-3) 961-6584

**Electronics Line 3000 Ltd. Limited Warranty –**

EL and its subsidiaries and affiliates ("Seller") warrants its products to be free from defects in materials and workmanship under normal use for 24 months from the date of production. Because Seller does not install or connect the product and because the product may be used in conjunction with products not manufactured by the Seller, Seller cannot guarantee the performance of the security system which uses this product. Sellers' obligation and liability under this warranty is expressly limited to repairing and replacing, at Sellers option, within a reasonable time after the date of delivery, any product not meeting the specifications. Seller makes no other warranty, expressed or implied, and makes no warranty of merchantability or of fitness for any particular purpose. In no case shall seller be liable for any consequential or incidental damages for breach of this or any other warranty, expressed or implied, or upon any other basis of liability whatsoever.

Sellers obligation under this warranty shall not include any transportation charges or costs of installation or any liability for direct, indirect, or not be compromised or circumvented; that the product will prevent any persona; injury or property loss by intruder, robbery, fire or otherwise; or that the product will in all cases provide adequate warning or protection. Buyer understands that a properly installed and maintained alarm may only reduce the risk of intruder, robbery or fire without warning, but is not insurance or a guarantee that such will not occur or that there will be no personal injury or property loss as a result.

Consequently seller shall have no liability for any personal injury, property damage or loss based on a claim that the product fails to give warning. However, if seller is held liable, whether directly or indirectly, for any loss or damage arising from under this limited warranty or otherwise, regardless of cause or origin, sellers maximum liability shall not exceed the purchase price of the product, which shall be complete and exclusive remedy against seller.

No employee or representative of Seller is authorized to change this warranty in any way or grant any other warranty.

**CAUTION:** This product should be tested at least once a week.

**WARNING:** Risk of explosion if battery is replaced by an incorrect type. Dispose of used batteries according to local regulations.

FR

## Introduction

Le Module bidirectionnel EL-4262 est un module complémentaire qui est utilisé pour coupler la gamme des Sirènes Electronics Line (EL4726 et EL4723) avec les centrales CommPact et Infinite Prime.

1

### Paramètres de la centrale

**Pour la Compact ( à partir de la version 401.37 et supérieure):**

- En entrée-Régler la sortie PGM en Sirène
- En sortie-Régler la zone 33 en (NF)

**Pour l'Infinite Prime - En entrée-Régler la sortie PGM en Sirène**

2

3, 4 (reportez-vous à ).

NOTE: pour une meilleure performance du produit, il est recommandé d'installer le module en dehors de la centrale.

5

### Câblage terminal et Coté Composants (reportez-vous à )

1

Antenne

3

Commutateurs

5

Autoprotection

7

Bornier Câblage

2

Bouton Test

4

Indicateur LED

6

Passage de Câble

8

Circuit

IT

## Introduzione

Il Modulo Per Sirena Radio Bidirezionale EL-4262 è un modulo aggiuntivo il cui scopo è consentire di utilizzare la sirena radio bidirezionale EL4726 con la centrale CommPact monodirezionale.

1

### Programmazione della centrale

Utilizzabile dalla versione 401.37 e successive della centrale CommPact:

- Programmazione PGM – Programmare il Tipo di associazione della PGM come “SIRENA ESTERNA”.
- Programmazione Zona – Programmare il LOOP della Zona 33 come “N.C.

2

3, 4 (fare riferimento a ).

NOTE: Per ottenere prestazioni migliori è consigliabile installare il modulo esternamente alla centrale.

5

### Cablaggio Terminal e Scheda elettronica (fare riferimento a )

1

Antenna

3

Microinterruttori

5

Tamper

7

Morsettiera

2

Pulsante di test

4

LED

6

Ingresso cavo

8

Blocco scheda elettronica

DE

## Einführung

Das 2-Weg Sirenenmodul EL-4262 ist ein Zusatzmodul, das genutzt wird, um die Reihe der 2-Weg Sirenen von Electronics Line (EL4726 und EL4723) mit den Steuertafeln von CommPact und Prime 1-Weg zu paaren.

### Einstellungen der Steuertafel

**Für die Tafel von CommPact (ab Version 401.37 und höher):**

- Eingabe-Event – Stellen Sie die PGM Ausgabe als 'SIREN MODULE' ein.
- Ausgabe-Event – Stellen Sie die Zone #33 'LOOP TYPE' als Normalerweise geschlossen ein.

**Für Prime Panel - Eingabe-Event – Stellen Sie die PGM Ausgabe als 'SIREN' ein.**

2

3, 4 (gelten für ).

ANMERKUNG: Für eine maximale Leistung des Produktes wird empfohlen, das Modul außerhalb der Steuertafel zu montieren

5

### Klemmenbelegung und PCB Anordnung (gelten für )

1

Antenne

3

Dip-Switch

5

Sabotagekontakt

7

Klemmleiste

2

Testknopf

4

LED Indikator

6

Kabeldurchführung

8

PCB Entriegelungslasche

### Réglage des commutateurs (par défaut \*)

| Switch | Etat  | Description                    |
|--------|-------|--------------------------------|
| 1      | ON    | Autoprotection Active          |
|        | OFF * | Autoprotection Inactive        |
| 2      | ON    | Batterie basse Active          |
|        | OFF * | Batterie basse Inactive        |
| 3      | ON    | Trouble communication Active   |
|        | OFF * | Trouble communication Inactive |
| 4      | ON    | Pour Infinite Prime            |
|        | OFF*  | Pour Compact                   |

NOTE: Si les commutateurs (1-3) sont réglés sur ON la sortie du module va déclencher la zone filaire de la centrale et de créer une alarme en fonction de la configuration de la centrale.

6

### Enregistrement et Test de la Sirène Bidirectionnelle

Mettez sous tension. Une fois que les LEDs rouge et verte clignotent consécutivement, envoyer un signal de la sirène en insérant les batteries. Si la LED continue à clignoter en rouge et vert, appuyez sur l'autoprotection de la sirène. Une fois enregistré, appuyez sur le bouton de test. La LED verte clignote selon la force de signal (4 clignotements - excellent, 1 clignotement faible). Fermez le couvercle pour terminer l'enregistrement.

### Impostazione dei microinterruttori (default \*)

| Microinterruttore | Posizione | Descrizione                          |
|-------------------|-----------|--------------------------------------|
| 1                 | ON        | Tamper attivo                        |
|                   | OFF *     | Tamper non attivo                    |
| 2                 | ON        | Basso livello batterie attivo        |
|                   | OFF *     | Basso livello batterie non attivo    |
| 3                 | ON        | Anomalia di comunicazione attivo     |
|                   | OFF *     | Anomalia di comunicazione non attivo |
| 4                 | ON        | Per utilizzo con centrali Prime      |
|                   | OFF *     | Per utilizzo con centrali CommPact   |

NOTE: Se i microinterruttori 1-3 sono impostati su ON l'uscita del modulo, al presentarsi delle anomalie, attiverà la zona cablata della centrale generando allarme contestualmente a come la zona è stata programmata.

6

### Memorizzazione e Test del Modulo per Sirena Radio Bidirezionale

Alimentare il modulo. Quando il LED lampeggia ciclicamente di colore Rosso e Verde inviare un segnale dalla sirena radio alimentandola. Se il LED continua a lampeggiare premere il tamper a bordo della sirena per trasmettere nuovamente il segnale. Completata la registrazione premere il pulsante di Test, il LED lampeggerà di colore Verde indicando la qualità della trasmissione (4 lampeggi – ottimo, 1 lampeggio – scarso). Chiudere il modulo per completare la registrazione.

### Einstellungen des DIP-Schalters (Standardeinstellung \*)

| Schalter | Status | Beschreibung                         |
|----------|--------|--------------------------------------|
| 1        | ON     | Sabotagekontakt an                   |
|          | OFF *  | Sabotagekontakt aus                  |
| 2        | ON     | Niedriger Ladestand der Batterie an  |
|          | OFF *  | Niedriger Ladestand der Batterie aus |
| 3        | ON     | Kommunikationsproblem an             |
|          | OFF *  | Kommunikationsproblem aus            |
| 4        | ON     | Für Prime                            |
|          | OFF *  | Für CommPact                         |

ANMERKUNG: Wenn die Schalter (1-3) auf ON gestellt sind, wird die Ausgabe des Moduls die verdrahte Zone auf der Steuertafel auslösen und im Einklang mit der Konfiguration der Tafel einen Alarm einleiten

6

### Registrierung und Testen der 2-Weg Sirene

Schalten Sie das Modul ein. Sobald die LED-Leuchte hintereinander rot und grün aufleuchtet, senden Sie durch das Einlegen der Batterien ein Signal von der Sirene. Wenn die LED-Leuchte auch weiterhin abwechselnd rot und grün aufleuchtet, drücken Sie auf den Sabotagekontakt an der Sirene. Nach der Registrierung drücken Sie auf den Testknopf. Die grüne LED Leuchte beginnt im Einklang mit der Übertragungsqualität aufzuleuchten (4 Mal Blinken – am besten, 1 Mal blinken – schlechte Qualität). Schließen Sie das Gehäuse des Moduls, um die Registrierung abzuschließen.

### Affichage LED

| LED   | Etat                         | Description           |
|-------|------------------------------|-----------------------|
| Jaune | On                           | Batterie Faible       |
|       | On                           | Mode Normal           |
| Vert  | Clignotant                   | Mode Test             |
|       | On                           | Trouble communication |
| Rouge | Clignotant                   | Autoprotection Sirène |
|       | Clignotant par-intermittance | Autoprotection Module |
|       | Rouge & Vert                 | Clignotant-Continu    |

NOTE: Une combinaison de Défaut est indiquée par l'allumage de la LED en rouge fixe pendant 3s suivie de la LED jaune clignotant pendant 3s.

### Suppression d'une sirène

Ouvrez le module Sirène et appuyez sur le bouton de test pendant environ 7 secondes jusqu'à ce que la LED rouge et verte clignotent consécutivement. Ceci confirme la suppression.

**Technical Specifications** - Frequence – 868 MHz, 433 MHz, Power – 12VDC, Temperature de fonctionnement -10 – 55°C

### LED Display

| LED    | Stato                        | Descrizione                          |
|--------|------------------------------|--------------------------------------|
| Giallo | Accesso                      | Basso livello batteria               |
|        | Accesso                      | Modo operativo normale               |
| Verde  | Lampeggiante                 | Modalità Test                        |
|        | Accesso                      | Anomalia comunicazione               |
| Rosso  | Lampeggiante                 | Tamper sirena aperto                 |
|        | Lampeggio intermittente      | Tamper modulo aperto                 |
|        | Lampeggio (Consecutivamente) | Modalità registrazione/cancellazione |

NOTE: Più anomalie presenti contemporaneamente vengono indicate tramite l'accensione per 3 secondi del LED Rosso seguito dal lampeggio intermittente del LED Giallo per 3 secondi.

### Cancellazione della sirena

Aprire il Modulo Per Sirena Radio Bidirezionale e premere il pulsante di Test per circa 7 secondi fino a che il LED lampeggerà consecutivamente di colore Rosso e Verde. Questa indicazione conferma la cancellazione della sirena.

**Specifiche Tecniche** - Frequenza– 868 MHz, 433 MHz, Alimentazione – 12Vcc, Temperatura di funzionamento – da -10°C a 55°C

### LED Display

| LED  | Status                    | Beschreibung                                 |
|------|---------------------------|--|
| Gelb | An                        | Niedriger Ladestand der Batterie der Sirene  |
|      | An                        | Normaler Betrieb                             |
| Grün | Blinkt                    | Testmodus                                    |
|      | An                        | Störung der Kommunikation                    |
| Rot  | Blinkt                    | Der Sabotagekontakt der Sirene ist aktiviert |
|      | Intermittierendes Blinken | Der Sabotagekontakt des Moduls ist aktiviert |
|      | Blinkt (hintereinander)   | Modus der Registrierung / Löschung           |

ANMERKUNG: Eine Kombination von Problemen wird durch 3 Sekunden dauerhaft rot angezeigt LED bei einer 3 Sekunden blinkende gelbe LED gefolgt.

### Das Löschen einer Sirene

Öffnen Sie das Modul der 2-Weg Sirene, und drücken Sie etwa 7 Sekunden lang auf den Testknopf, bis die roten und grünen LED-Leuchten hintereinander aufblinken. Dies bestätigt die Löschung.

**Technische Spezifikationen** - Frequenz – 868 MHz, 433 MHz, Stromzufuhr – 12V, Gleichstrom, Betriebstemperatur – -10 – 55°C