

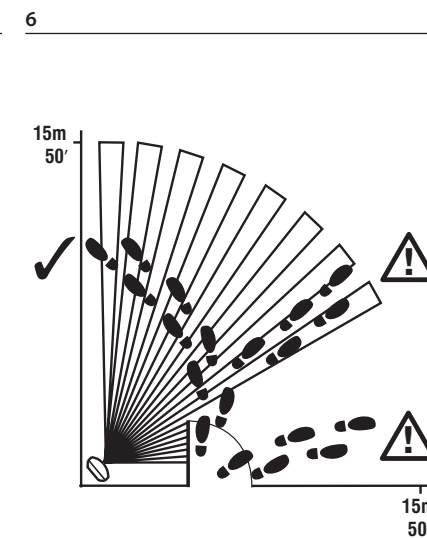
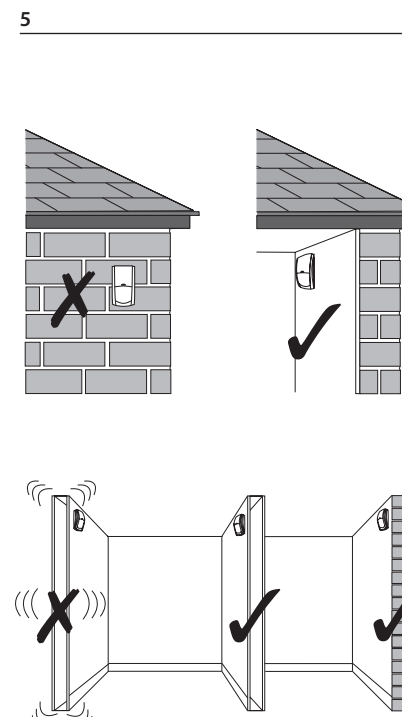
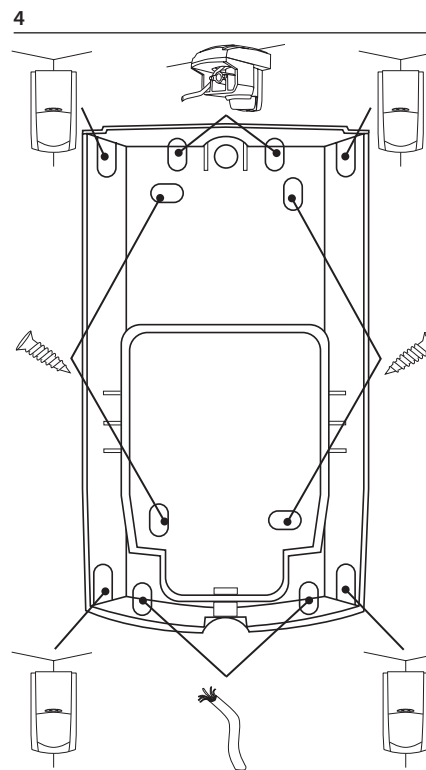
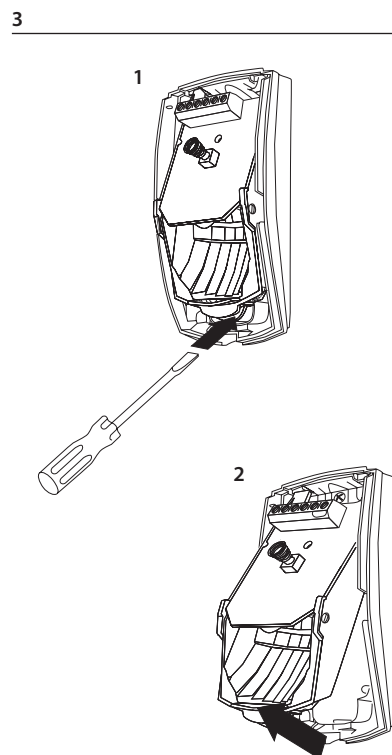
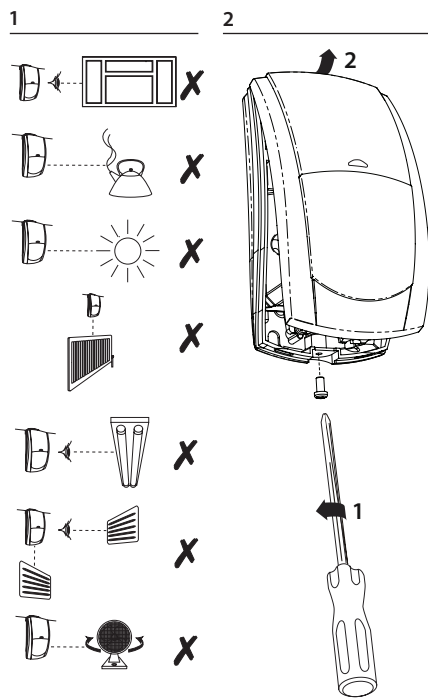
Instruction Manual

Premier Elite MR Long Range
Premier Elite MR
Premier Elite PW

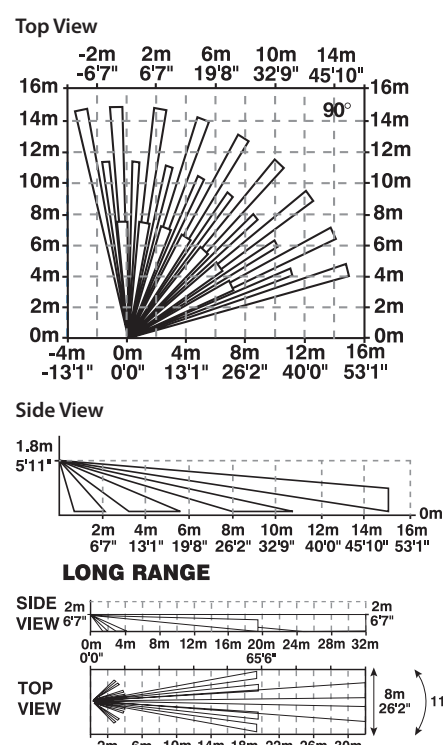
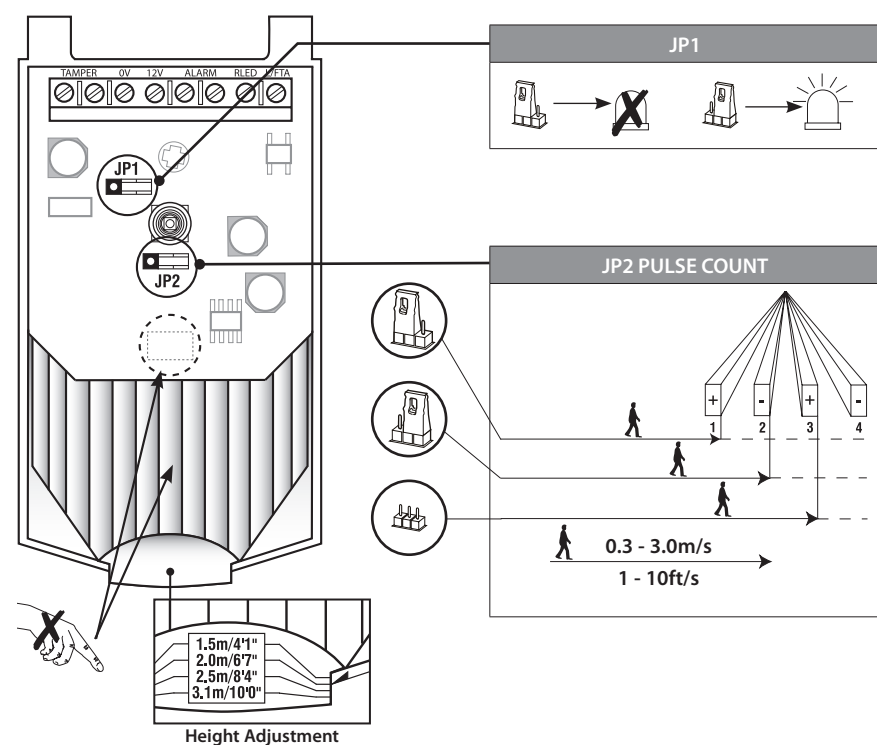
Texecom
Designed to Perform

MADE IN ENGLAND

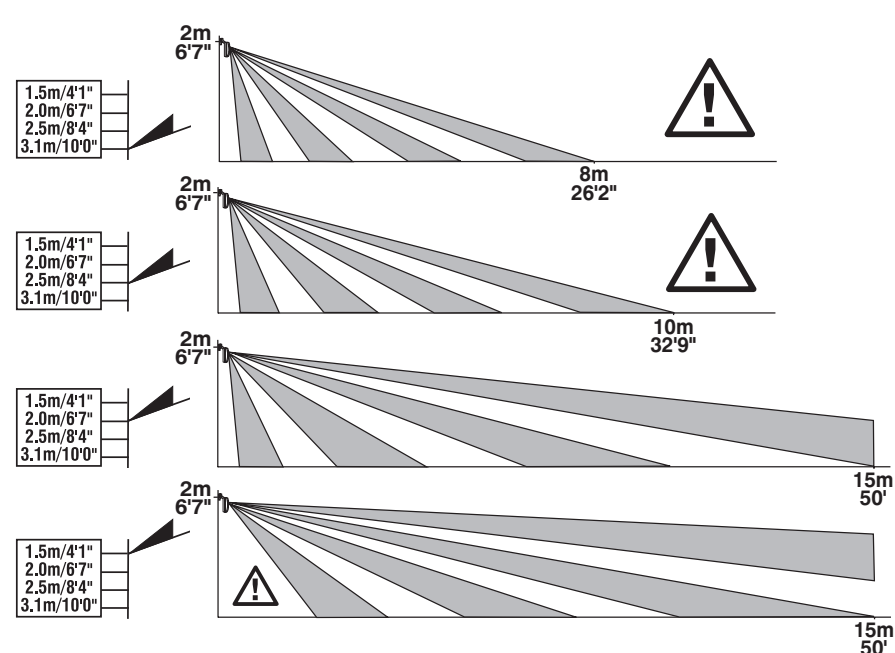
INS545-2



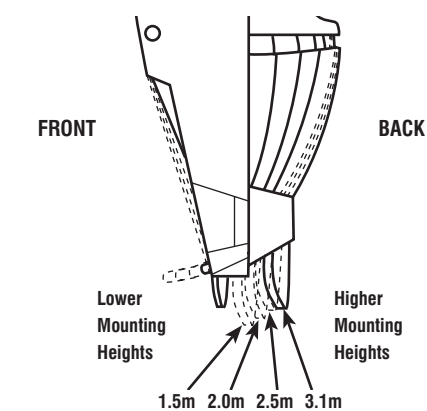
7 - Premier Elite MR/MR Long Range



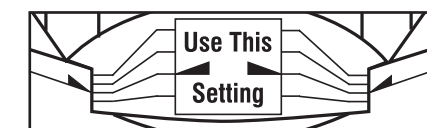
7.1



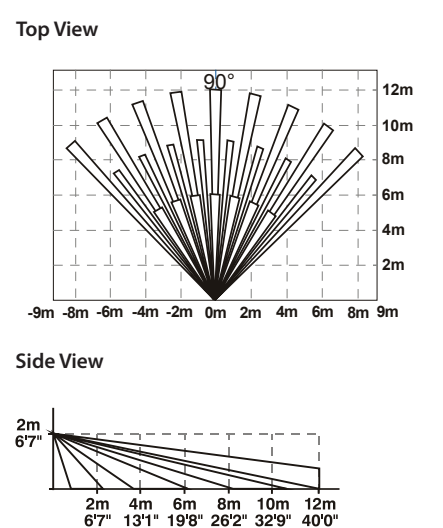
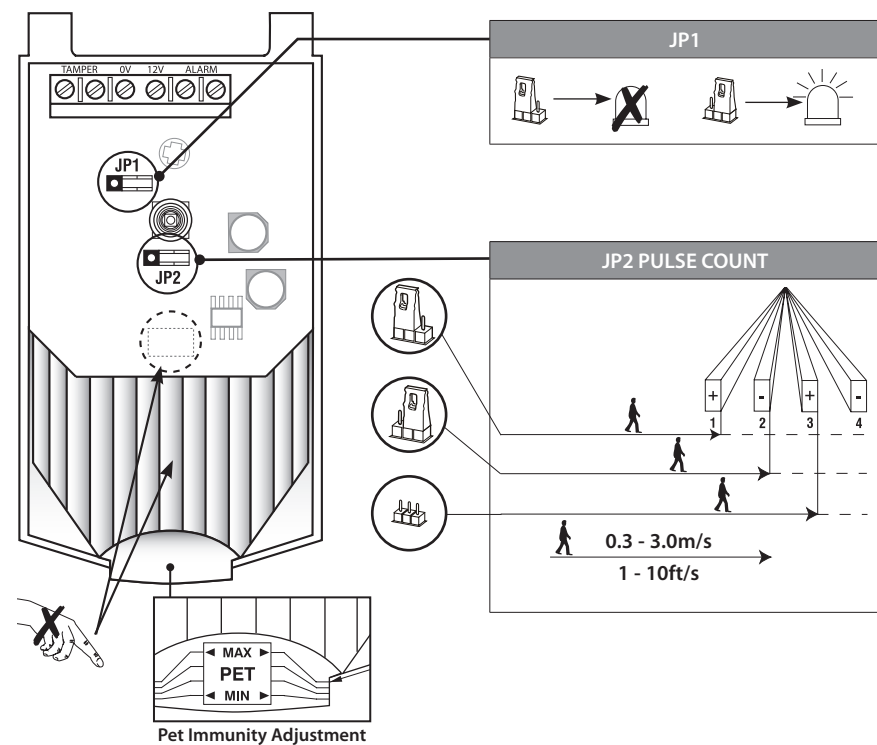
7.2



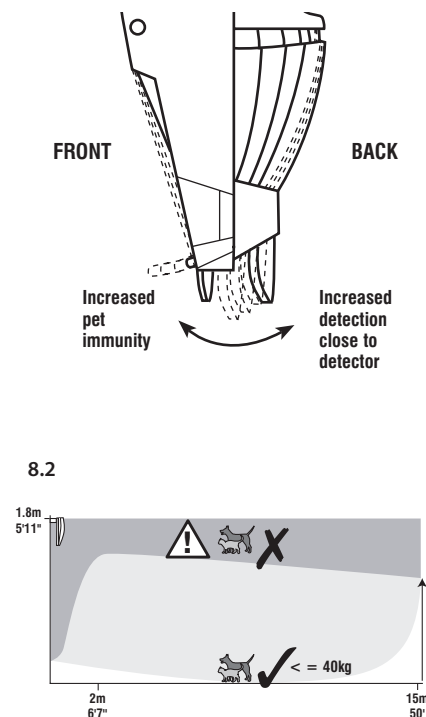
7.3 Premier Elite MR Long Range



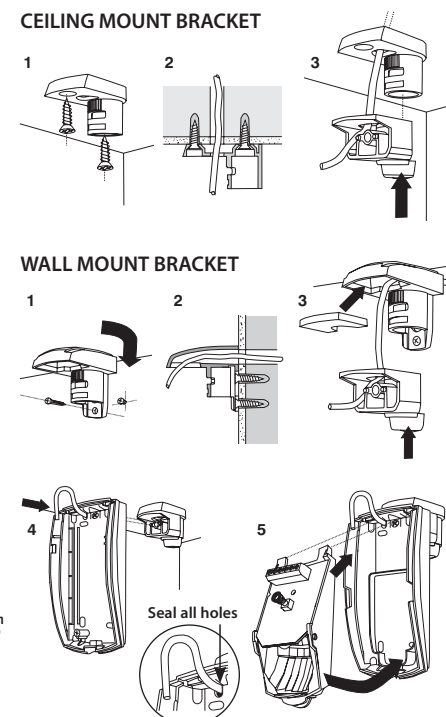
8 - Premier Elite PW



8.1



9



Specifications		
Product Type	Elite MR - AFK0000	Elite PW
Detector	Mirrored PIR	Mirrored pet Immune PIR
Signal processing	DSP	DSP
Range	15 m	12 m
Optical	Fresnel Lens	Fresnel Lens
Input power	9Vdc to 15Vdc (15 Vdc nominal @ 10.6 mA)	
Detector start-up time	60 seconds	
Normal current consumption (mA)	Max. 9.2	Max. 10
Current consumption in Alarm (mA)	Max. 13.5	Max. 16
Max current consumption (mA)	Max. 13.5	Max. 16
Remote LED	12V <input checked="" type="checkbox"/> 0V/NC <input type="checkbox"/>	
Alarm relay	< 24Vdc 50 mA (N/C) 18 Ω	
Tamper relay	< 24Vdc 50 mA (N/C)	
Mounting height	Min. 1.5 m, Max. 3.1m Long Range = 2m	Min. 1.6 m, Max. 2m
Target speed range	30 cm/s to 3 m/s (1 ft/s to 10 ft/s)	
Alarm time	> 2 seconds	
Operating temperature	-35°C to +55°C (-31°F to 130°F)	
Dimensions (HxWxD)	112mm x 60mm x 40mm	
Relative humidity	Max. 95%	
Weight	180g	
Power supply	Rated 94HB	

Contact information: www.texecom.com



Certificate Number: FM 35285

british security industry association

