

RadioPlus Magnetic Contact

Wireless 868MHz & 433MHz

INSTALLATION INSTRUCTIONS

Texecom
www.texecom.com

INS 313 Ask your distributor today for the Texecom full colour Product Guide.

QUALITY ASSURANCE



Made in England

HALMA GROUP COMPANY



BSIA
British Security Industry Association

WARRANTY

1 year replacement warranty (excludes battery).

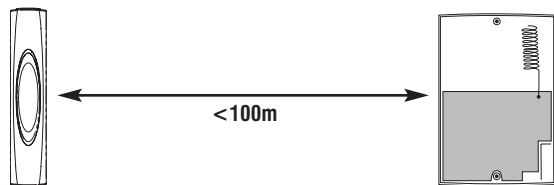
The RadioPlus Magnetic Contact is designed to detect the opening of a door/window and activate an alarm control panel. As the RadioPlus Magnetic Contact is not a complete alarm system, but only a part thereof, Texecom cannot accept responsibility or liability for any damages whatsoever based on a claim that the RadioPlus Magnetic Contact failed to function correctly.

Due to our policy of continuous improvement Texecom reserves the right to change specification without prior notice. All specifications are measured at 20°C (68°F).

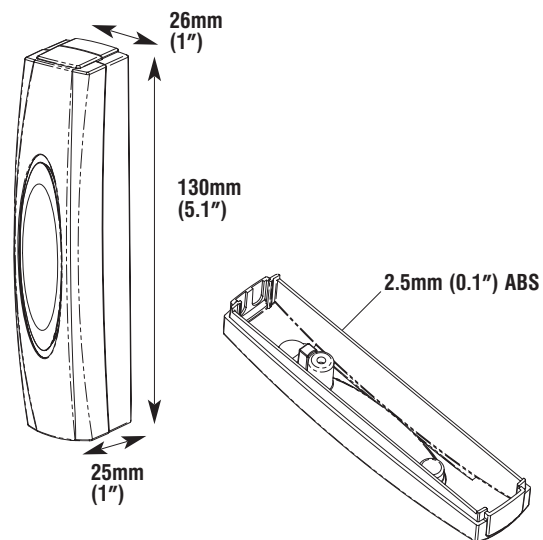
© 2006 Texecom Ltd. Document Ref: RPMC/EU/1.0
The RadioPlus Magnetic Contact is protected by UK & International Registered Designs. Registered Design No: 269188.
RadioPlus is a Trademark of Texecom Ltd.

6 CHOOSING A LOCATION

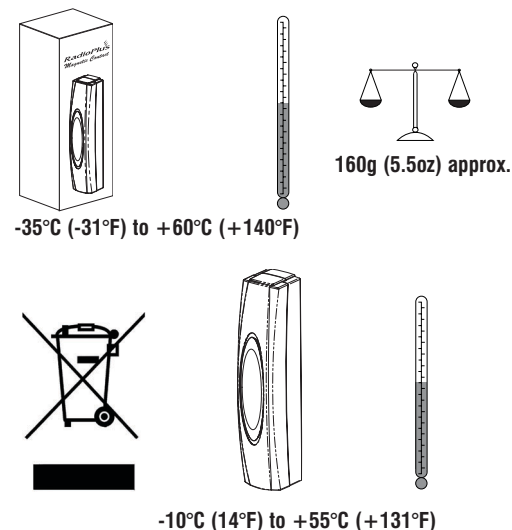
Maximum range is up to 100m free space, walls and furniture will reduce this. Check signal strength before installation.



1 PHYSICAL



2 ENVIRONMENTAL



3 STANDARDS & APPROVALS

- Detector Standard:** TS 50131-2-6 Grade 2 Environmental Class II.
- System Standard:** Suggested use: within a BS EN 50131-1, PD6662 : 2004 Grade 2 system.
- Wireless Standard:** Designed to comply with EN 50131-5-3 : 2005.
- EMC:** EN 300 489-1 : 2002.
EN 300 489-3 : 2002.
EN 50130-4 : 1995 + A1 : 1998 + A2 : 2003.
- RF Immunity:** No false alarms from 80MHz to 1GHz at 10V/m. Complies with BS EN 61000-4-3 : 2002.
- Radiated Emissions:** EN 300 220-1 : 2000.
EN 300 220-3 : 2000.
868MHz & 433MHz options.

4

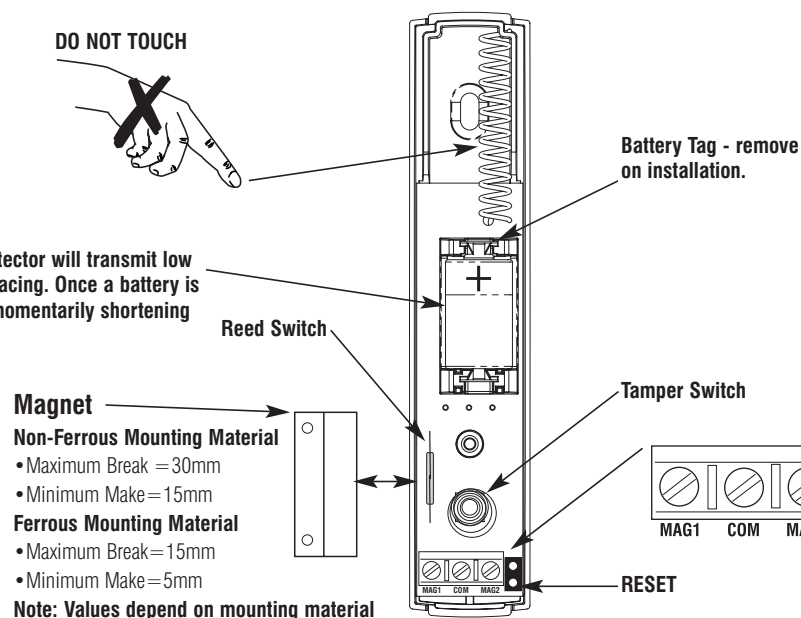
Battery

Only replace with 3.6V Lithium 1/2AA. Detector will transmit low battery warnings when battery needs replacing. Once a battery is inserted the detector should be reset by momentarily shortening the reset pins shown.

Battery Safety

- Do not throw into a fire
- Do not heat
- Do not charge
- Do not short circuit
- Do not disassemble
- Replace only with same or equivalent type
- Always observe local regulations when disposing of a battery

DO NOT TOUCH



Magnet

Non-Ferrous Mounting Material

- Maximum Break = 30mm
- Minimum Make = 15mm

Ferrous Mounting Material

- Maximum Break = 15mm
- Minimum Make = 5mm

Note: Values depend on mounting material

5 DECLARATION OF CONFORMITY

This declaration is valid for the following product:

Device Type: Wireless Magnetic Contact
Product Name: RadioPlus Magnetic Contact
Equipment Class: Short Range Device, Class 1
NB Number: 0470

This is to confirm that this product meets all essential protection requirements relating to:
R&TTE Directive: 1999/05/EC

On behalf of the manufacturer:
Texecom Ltd., Bradwood Court, St. Crispin Way, Haslingden, Lancashire, BB4 4PW
This declaration is submitted by:
R J Austen
R J Austen, Managing Director
10th January 2006

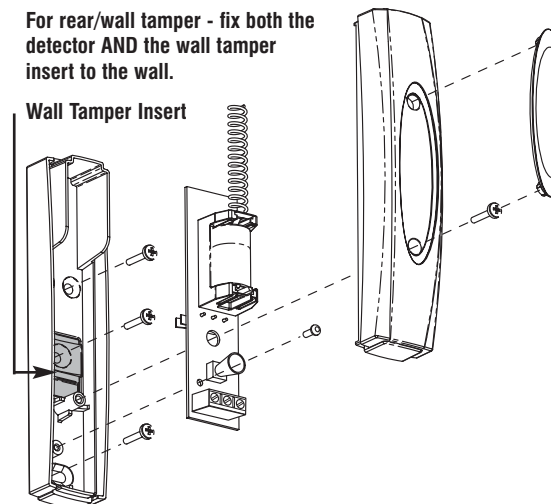
These terminal blocks can be used as two normally closed inputs. When MAG1 or MAG2 are disconnected from COM the unit will show active. These inputs can be used for a number of uses, for example connecting additional conventional wired magnetic contacts.

Note: When not in use MAG1 and MAG2 should be connected to COM.

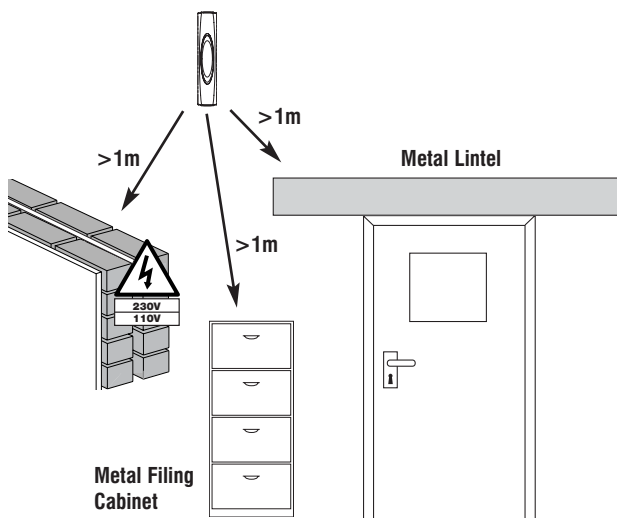
7 ASSEMBLY

For rear/wall tamper - fix both the detector AND the wall tamper insert to the wall.

Wall Tamper Insert



Do not install close to large metal objects or mains wiring



8 WIRELESS OPERATION

- Each detector has its own unique factory pre-set identification code, selected from over 16 million combinations.
- The detectors send approximately 12 'supervision' (monitoring) signals every 30 minutes.
- The detector will transmit a battery low warning when there is just over one month's capacity remaining. The battery should be replaced at this time.
- For use only with RadioPlus Intelligent Receiver.